

FRIGGITRICI GAS 15L E700 XP
GAS FRYERS 15L E700 XP

| PNC | Model | Ref | Brand | Version | Notes |
|---------------|--------------------|----------|------------|------------|---|
| 371070 | E7FRGD1GF0 | a | ELX | GAS | 15 LITRE 400 MM |
| 371071 | E7FRGH2GF0 | b | ELX | GAS | 2X15 LITRE 800 MM |
| 371420 | E7KKETBAMCI | a | ELX | GAS | 15 LITRE GAS FRYER 400 MM |
| 371421 | E7KKETBAMEI | b | ELX | GAS | 2X15 LITRE GAS FRYER 800 MM |
| 372070 | Z7FRGD1GF0 | c | ZAN | GAS | 15 LITRE 400 MM |
| 372071 | Z7FRGH2GF0 | d | ZAN | GAS | 2X15 LITRE 800 MM |
| 372159 | Z7FRGH2GFH | e | ZAN | GAS | 2X15 LITRE 800 MM-HAKVOORT |
| 372421 | Z7KKETBAMCI | c | ZAN | GAS | 15 LITRE GAS FRYER 400MM - QMARK |
| 372422 | Z7KKETBAMEI | d | ZAN | GAS | 2X15 LITRE GAS FRYER 800MM - QMARK |
| 373070 | A7FRGD1GF0 | f | OEM | GAS | 15 LITRE 400 MM |
| 373071 | A7FRGH2GF0 | g | OEM | GAS | 2X15 LITRE 800 MM |
| 373229 | A7FRGD1GFK | h | KIP | GAS | 15 LITRE 400 MM |
| 373230 | A7FRGH2GFK | l | KIP | GAS | 2X15 LITRE 800 MM |

Index

General components / Componenti struttura
 Gas components / Componenti gas
 Nozzles tables / Tabelle ugelli
 Spare parts list / Lista ricambi

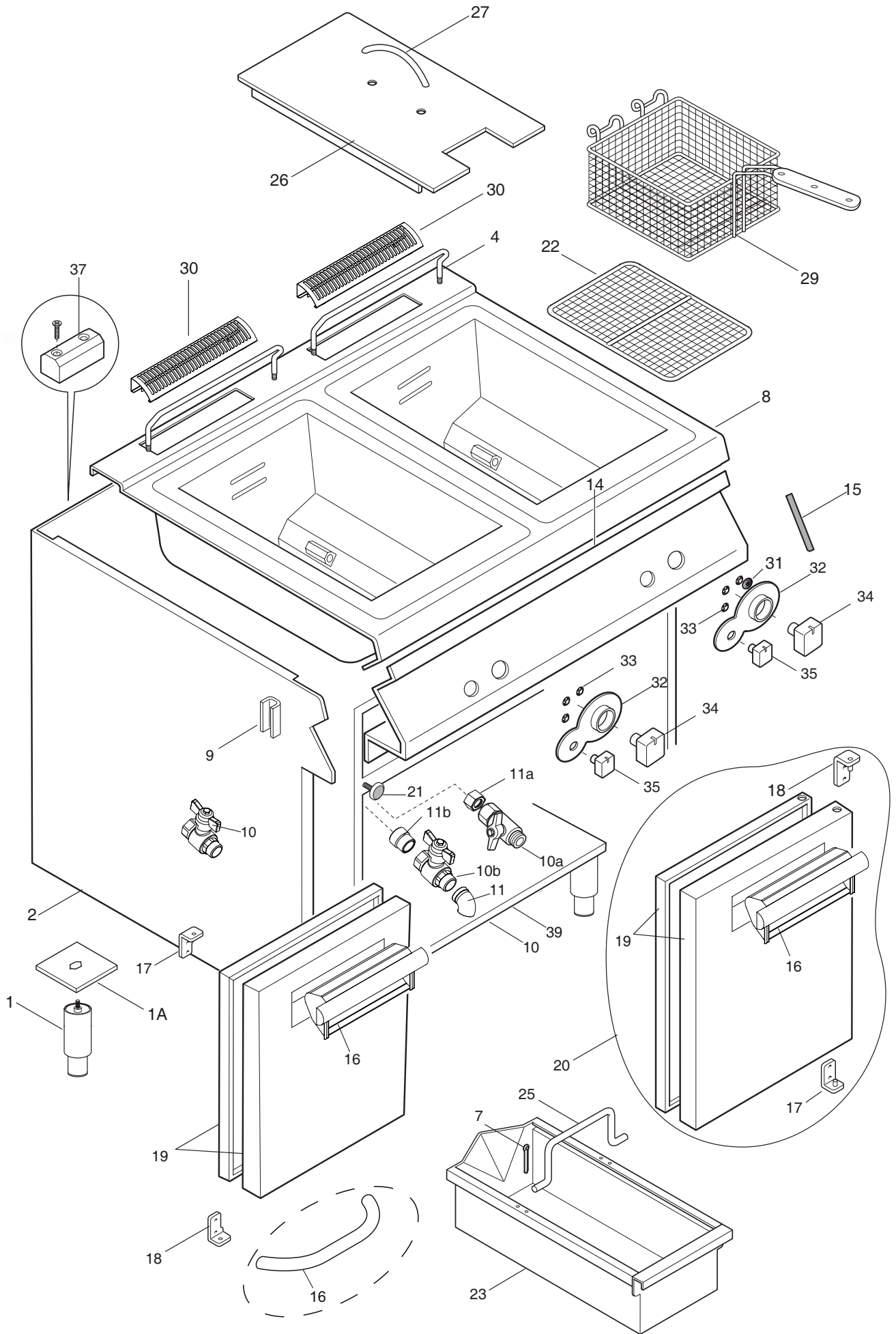
Page

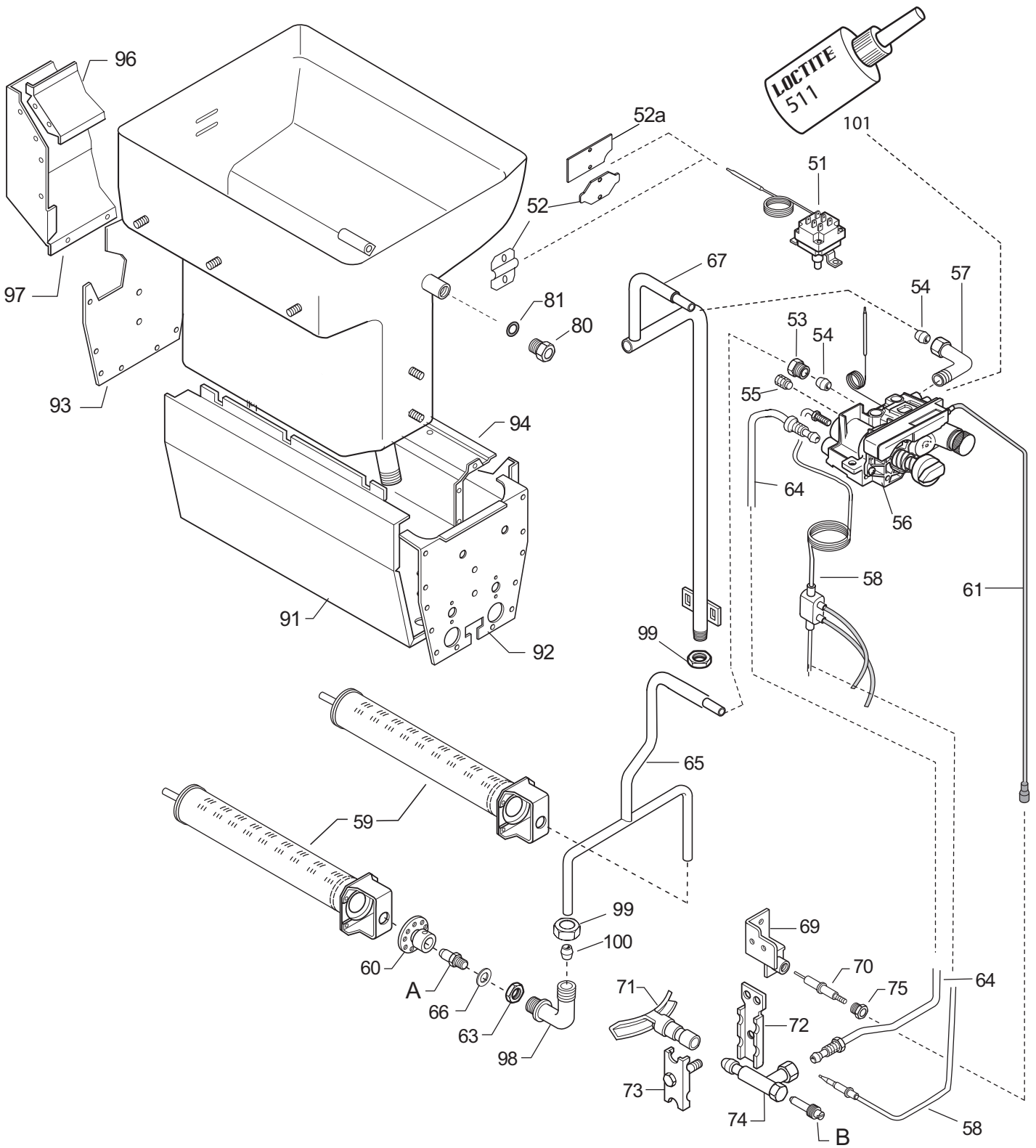
2
 3
 4
 5,6

Bold=last change / Grassetto =ultima modifica

Rev. 7

| | | | |
|-------------------------------------|--------------------------------|---------|-------------------------|
| From Ser. Nr. 116 Up to Ser. Nr. | Ed. 2011-04 Updated 2024-08 | Page: 1 | Doc No:59785F300 |
|-------------------------------------|--------------------------------|---------|-------------------------|





| A - Ugello bruciatore / Burner nozzle | | | |
|--|--------------------------|-----------|--------------|
| Spare Part Code | Reference / Notes | | |
| 004732 | ø1.35 | 3+3B/P | G30 30mbar |
| 004732 | ø1.35 | 3B/P | G30 50mbar |
| 004732 | ø1.35 | 3B/P | G30 37mbar |
| 0C0729 | ø2.40 | 2H/2E/2Es | G20 20mbar |
| 0C0729 | ø2.40 | 2E(R)B | G20 25mbar |
| 0C0730 | ø2.65 | 2Ei | G25 25mbar |
| 0C0730 | ø2.65 | 2E(R)B | G25 25mbar |
| 0C0730 | ø2.65 | 2ELL | G25 20mbar |
| 0C0730 | ø2.65 | 2L | G25 25mbar |
| 059363 | ø2.50 | 2K | G25.3 25mbar |
| 0C0730 | ø2.65 | 2S | G25.1 25mbar |
| 0C3079 | ø6.25 | NO CE | G110 8mbar |

| B - Ugello pilota / Pilot nozzle | | | |
|---|--------------------|-----------|--------------|
| Spare part Code | Ref./ Notes | | |
| 058525 | n°30 | 3+3B/P | G30 30mbar |
| 058525 | n°30 | 3B/P | G30 50mbar |
| 058525 | n°30 | 3B/P | G30 37mbar |
| 003327 | n°40 | 2H/2E/2Es | G20 20mbar |
| 003327 | n°40 | 2E(R)B | G20 25mbar |
| 003327 | n°40 | 2Ei | G25 25mbar |
| 003327 | n°40 | 2E(R)B | G25 25mbar |
| 003327 | n°40 | 2ELL | G25 20mbar |
| 003327 | n°40 | 2L | G25 25mbar |
| 003327 | n°40 | 2K | G25.3 25mbar |
| 003327 | n°40 | 2S | G25.1 25mbar |
| / | adjust | NO CE | G110 8mbar |

FRIGGITRICI GAS 15L E700 XP
GAS FRYERS 15L E700 XP

| Pos | Factory Code | Spare Code | Descrizione | Description | Ref./Notes |
|-----|-------------------|---------------|--|---|--------------------|
| 1 | 835856900 | 0C0204 | PIEDE | FOOT | |
| 1A | 508898900 | 0C0122 | PIASTRA DI RINFORZO PER PIEDE | PLATE FOR FOOT | |
| 2 | 85089FD01 | | RIVESTIMENTO LATERALE 400MM | EXTERNAL PANEL 400MM | ELX |
| 2 | 85089FH01 | | RIVESTIMENTO LATERALE 400MM | EXTERNAL PANEL 400MM | ZAN, OEM |
| 2 | 85089FF01 | | RIVESTIMENTO LATERALE 800MM | EXTERNAL PANEL 800MM | ELX |
| 2 | 85089FJ01 | | RIVESTIMENTO LATERALE 800MM | EXTERNAL PANEL 800MM | ZAN, OEM |
| 4 | 0516862900 | 0C0640 | SUPPORTO PER CESTELLO | SUPPORT; BASKET | Up to 6221 |
| 4 | 0516862901 | 0CA773 | SUPPORTO PER CESTELLO | SUPPORT; BASKET | From 6231 |
| 8 | 85589BH01 | 0C7751 | RIPIANO / VASCA 400mm | WORKTOP / TANK 400mm | ELX |
| 8 | 85589BP01 | 0C7757 | RIPIANO / VASCA 800mm | WORKTOP / TANK 800mm | ELX |
| 8 | 87089L502 | 0C7776 | RIPIANO / VASCA 400mm | WORKTOP / TANK 400mm | ZAN, OEM |
| 8 | 87089L602 | 0C7777 | RIPIANO / VASCA 800mm | WORKTOP / TANK 800mm | ZAN, OEM |
| 8 | 50389X900 | | RIPIANO / VASCA 800mm | WORKTOP / TANK 800mm | HAKVOORT |
| 9 | 527850500 | 0C0156 | PIASTRA FISSAGGIO FIANCHI | SIDE PANEL JOINTING PLATE | |
| 10a | 835841201 | 0A5439 | VALVOLA SCARICO 1' | DRAIN VALVE 1' | Up to 28/2017 |
| 10b | 835848600 | 005927 | VALVOLA SCARICO 3/4' | DRAIN VALVE 3/4' | From 29/2017 |
| 11a | 511824800 | 0C6805 | CONNESSIONE 3/4" M/F | 3/4" CONNECTION | Up to 28/2017 |
| 11b | 511851P00 | 0CB826 | NIPPLO 3/4" M/F | 3/4" NIPPLE | From 29/2017 |
| 14 | 85589AG03 | 0C7801 | CRUSCOTTO 400mm | CONTROL PANEL 400mm | ELX 400mm |
| 14 | 87089HX02 | 0C7514 | CRUSCOTTO 400mm | CONTROL PANEL 400mm | ZAN 400mm |
| 14 | 800838L01 | | CRUSCOTTO 400mm | CONTROL PANEL 400mm | OEM-KIP 400mm |
| 14 | 85589AH03 | 0C7739 | CRUSCOTTO 800mm | CONTROL PANEL 800mm | ELX 800mm |
| 14 | 87089HZ02 | 0C7515 | CRUSCOTTO 800mm | CONTROL PANEL 800mm | ZAN,HAKVOORT 800mm |
| 14 | 800838M01 | | CRUSCOTTO 400mm | CONTROL PANEL 800MM | OEM-KIP 800mm |
| 15 | 543821900 | 0C2496 | GUARNIZIONE X CRUSCOTTO | GASKET, CONTROL PANEL | |
| 16 | 51589A700 | 0C7164 | MANIGLIA | HANDLE | ELX |
| 16 | 54887A802 | 0C8190 | MANIGLIA | HANDLE | ZAN |
| 16 | 854864203 | 0A5021 | MANIGLIA | HANDLE | OEM |
| 17 | 516860801 | 0C0138 | CERNIERA | HINGE, DOOR | |
| 18 | 516860901 | 0C0139 | CERNIERA | HINGE, DOOR | |
| 19 | 085089AA04 | 0C7156 | PORTA | DOOR | ELX, ZAN |
| 19 | 085089JX02 | 0C8358 | PORTA | DOOR | OEM |
| 20 | 085589CT03 | 0C7163 | ASSIEME PORTA (PORTA + MANIGLIA + CERNIERE) | DOOR ASSEMBLY (DOOR + HANDLE + HINGES) | ELX |
| 20 | 085589CU06 | 0C7165 | ASSIEME PORTA (PORTA + MANIGLIA + CERNIERE) | DOOR ASSEMBLY (DOOR + HANDLE + HINGES) | ZAN |
| 20 | 085589CV02 | 0C7627 | ASSIEME PORTA (PORTA + MANIGLIA + CERNIERE) | DOOR ASSEMBLY (DOOR + HANDLE + HINGES) | OEM |
| 21 | 830898200 | 0C0201 | MAGNETE PER PORTA | MAGNET, DOOR | |
| 22 | 830822500 | 005932 | GRIGLIA DI FONDO | GRATE FOR BOTTOM | |
| 23 | 502898403 | 005922 | BACINELLA PER OLIO | BASIN FOR BASIN | |
| 24 | 219293205 | 0C0477 | COPIGLIA | COTTER | |
| 25 | 516843003 | 005923 | MANIGLIA BACINELLA | HANDLE, BASIN | |
| 26 | 522893501 | 0C2697 | COPERCHIO | LID | |
| 27 | 511819000 | 0C0614 | MANIGLIA COPERCHIO | HANDLE, LID | |
| 29 | 830822603 | 005933 | CESTELLO | BASKET | |
| 30 | 50389LP00 | 0C7333 | GRIGLIA CAMINO | GRID, CHIMNEY | |
| 31 | 541813800 | 0C6171 | GUARNIZIONE IN SILICONE | SILICONE GASKET | |
| 32 | 548877501 | 0C7802 | GHIERA | RING, KNOB | ELX |
| 32 | 548879800 | 0C7484 | GHIERA | RING, KNOB | ZAN, OEM |

FRIGGITRICI GAS 15L E700 XP
GAS FRYERS 15L E700 XP

| Pos | Factory Code | Spare Code | Descrizione | Description | Ref./Notes |
|-----------|------------------|---------------|-------------------------------|------------------------------|--|
| 33 | 218912211 | 069567 | MOLLA PER GHIERA | SPRING, RING KNOB | |
| 34 | 511850D02 | 0C7330 | MANOPOLA TERMOSTATO | KNOB, THERMOSTAT | ELX |
| 34 | 548877Z01 | 0C7179 | MANOPOLA TERMOSTATO | KNOB, THERMOSTAT | ZAN |
| 34 | 548872700 | 0C5252 | MANOPOLA TERMOSTATO | KNOB, THERMOSTAT | OEM |
| 34 | 548876U00 | 0C6745 | MANOPOLA TERMOSTATO | KNOB, THERMOSTAT | KIP, H,I |
| 35 | 548863303 | 0C2021 | MANOPOLA ACCENDITORE | KNOB, IGNITER | ELX |
| 35 | 548878303 | 0C7181 | MANOPOLA ACCENDITORE | KNOB, IGNITER | ZAN |
| 35 | 548856603 | 0C0190 | MANOPOLA ACCENDITORE | KNOB, IGNITER | OEM |
| 37 | 516860702 | 0C0137 | PIASTRA GIUNZIONE APPARECC. | JOINTING REAR PLATE | |
| | | | | | |
| 51 | 646816500 | 0C4279 | LIMITATORE DI TEMPERATURA | SAFETY THERMOSTAT | |
| 52 | 527871901 | 0C4749 | SUPPORTO BULBO LIMITATORE | SUPPORT SAFETY THERMOSTAT | |
| 52a | 569806300 | 0C4748 | ISOLANTE LIMITATORE | INSULATION SAFETY THERMOSTAT | |
| 53 | 514862501 | 051950 | RACCORDO 3/8" | 3/8" PIPE FITTING | |
| 54 | 215170716 | 050682 | OGIVA | RING | |
| 55 | 516865800 | 0C0625 | TAPPO PER VALVOLA | STOPPER, VALVE | |
| 56 | 835859703 | 0C5248 | VALVOLA GAS | GAS VALVE | |
| 57 | 515863200 | 0C0631 | RACCORDO A "L" CON DADO | L PIPE FITTING WITH NUT | TRASH THE OLIVE CONE SUPPLIED WITH SPARE PART 0C0631, USE OLIVE 050682 |
| 58 | 831818901 | 0C3162 | TERMOCOPPIA; INTERROTTA | THERMOCOUPLE; INTERRUPTED | |
| 59 | 830822201 | 005929 | BRUCIATORE | BURNER | |
| 60 | 830828001 | 054039 | AERATORE | AERATOR | |
| 61 | 636800600 | 0C7190 | CAVETTO ACCENDITORE | IGNITER CABLE | |
| 63 | 214105101 | 020997 | CONTRODADO | LOCK NUT | |
| 64 | 517897103 | 0C2948 | CONDUTTURA PILOTA | PIPE, PILOT | |
| 65 | 870854100 | 0C5182 | CONDUTTURA VALVOLA-BRUCIATORE | PIPE VALVE-BURNER | |
| 66 | 506833401 | 054029 | GUARNIZIONE UGELLO | GASKET | |
| 67 | 87089MZ00 | 0CB744 | ENTRATA GAS FRIGG.15L | GAS INLET 400 mm | |
| 67 | 87089MY00 | 0CA801 | ENTRATA GAS FRIGG.15+15L | GAS INLET 800 mm | |
| 69 | 831819401 | 0C4365 | SUPPORTO PILOTA | SUPPORT, PILOT | |
| 70 | 569807J00 | 0C7141 | ELETTRODO; ACCENSIONE | ELECTRODE | |
| 71 | 830819201 | 0A5441 | CANNELLO PILOTA | BLOW PIPE | |
| 72 | 206993500 | 052256 | STAFFA | BRACKET | |
| 73 | 206649700 | 052246 | STAFFA | BRACKET | |
| 74 | 835854800 | 006725 | PILOTA | PILOT BURNER | |
| 75 | 214164101 | 057960 | RACCORDO ELETTRODO | PIPE FITTING, ELECTRODE | |
| 80 | 514874500 | 059295 | RACCORDO | PIPE FITTING | |
| 81 | 543815000 | 059293 | GUARNIZIONE | GASKET | |
| 91 | 533820703 | 0CA071 | CAMERA DI COMBUSTIONE | COMBUSTION CHAMBER | |
| 92 | 533820202 | 0CA149 | PARETE ANT. CAM. COMB. | FRONT PANEL | |
| 93 | 533819903 | 0CA150 | PARETE POST. CAM. COMB. | REAR PANEL | |
| 94 | 533820503 | 0CA391 | DEFLETTORE/CONVOGLIATORE FUMI | DEFLECTOR/SMOKE CONVEYOR | |
| 96 | 533820301 | 0CA392 | PARETE ANT. CAMINO | FRONT CHIMNEY | |
| 97 | 533820401 | * | PARETE POST. CAMINO | REAR CHIMNEY | |
| 98 | 511805401 | 059250 | PORTAUGELLO 90° | INJECTOR HOLDER | |
| 99 | 514829301 | 0A2125 | DADO PER TUBO | NUT FOR PIPE | |
| 100 | 215073101 | 060325 | BICONO | DOUBLE CONE | |

FRIGGITRICI GAS 15L E700 XP
 GAS FRYERS 15L E700 XP

| Pos | Factory Code | Spare Code | Descrizione | Description | Ref./Notes |
|-----|--------------|------------|--|---------------------------------------|---|
| 101 | * | 0CA532 | LOCKTITE 511 – 50MI | LOCKTITE 511 – 50MI | |
| * | * | 0CB467 | KIT MANUTENZIONE FRIGGITRICI GAS 15LT E700 | E700 15LT GAS FRYER MAINTENANCE KIT | 15LT (15+58+70+75+80+81+0C7190) |
| * | * | 0CB468 | KIT MANUTENZIONE FRIGGITRICI GAS 2x15LT E700 | E700 2x15LT GAS FRYER MAINTENANCE KIT | 2x15LT (15+2x58+2x70+2x75+2x80+2x81+2x0C7190) |
| | | | | | |
| | | | | | |